

PLEASE NOTE

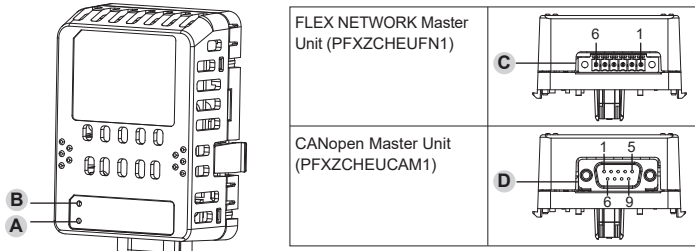
Electrical equipment should be installed, operated, serviced, and maintained only by qualified personnel. No responsibility is assumed by Schneider Electric or any of its affiliates or subsidiaries (hereinafter, referred to as Schneider Electric) for any consequences arising out of the use of this material.

Package Contents

- (1) One of the fieldbus master units listed in External View x 1
- (2) Installation Guide x 1 <this guide>
- (3) FLEX NETWORK Connector (model number: PFXZCHCNFN2) x 1
<FLEX NETWORK Master Unit only>

This product has been carefully packed, with special attention to quality. However, should you find anything damaged or missing, please contact customer support immediately.

External View



Status LED

FLEX NETWORK Master Unit				
LED position	LED name	Color	Indicator	Description
A	RUN	Green	ON	Turns on when communication is enabled.
B	ERR	Red	ON	Turns on when failure occurs in connected I/O unit.

CANopen Master Unit				
LED position	LED name	Color	Indicator	Description
A	RUN	Green	ON	Operational
			Blinking	Pre-operational
			Single flash	Stopped
			OFF	No error
B	ERR	Red	ON	Bus off
			Blinking	Invalid configuration
			Single flash	Warning limit reached
			Double flash	Guard/heartbeat event

The information in this document is subject to change without notice.
 Copyright © 2018.01 Schneider Electric Japan Holdings Ltd. All Rights Reserved.
 QGH46477 02
 Schneider Electric Japan Holdings Ltd.
 Schneider Electric Osaka Building 4-4-9 Kitahama,
 Chuo-ku, Osaka 541-0041, JAPAN



Printed in

Interface

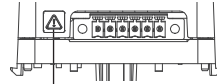
C FLEX NETWORK interface
 Plug connector: MC 1,5/6-STF-3,5
 manufactured by Phoenix Contact

Pin No.	Signal	Direction	Description
1	TR+	I/O	CH1 communication data
2	TR-	I/O	CH1 communication data
3	SLD	-	CH1 cable, shielded wire
4	TR+	I/O	CH2 communication data
5	TR-	I/O	CH2 communication data
6	SLD	-	CH2 cable, shielded wire

D CANopen interface
 D-Sub 9 pin plug connector (#4-40 UNC)

Pin No.	Signal	Direction	Description
1	NC	-	No connection
2	CAN_L	I/O	CAN_L bus line
3	CAN_GND	-	CAN ground
4	NC	-	No connection
5	NC	-	No connection
6	CAN_GND	-	CAN ground
7	CAN_H	I/O	CAN_H bus line
8	NC	-	No connection
9	NC	-	No connection
Shell	FG	-	Functional Ground

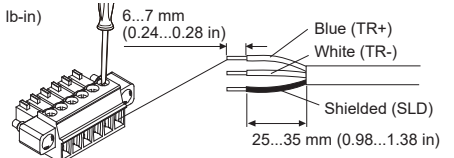
Wiring to the FLEX NETWORK Connector



Use copper wire rated for 75 °C (167 °F) or higher.

- Strip the cable sheath, twist the wire ends, and connect them to the connector.
- If the ends of the individual wires are not twisted correctly, the wires may create a short circuit.
- Be sure to tape or put a plastic tube over the shield line.
- Do not solder the wire itself.
- The applicable wire diameter is AWG 28-16.

Tightening torque: 0.25 N·m (2.21 lb-in)
 Screwdriver
 point depth: 0.6 mm (0.02 in),
 point height: 2.5 mm (0.10 in)



⚠ DANGER

HAZARD OF ELECTRIC SHOCK, EXPLOSION, OR ARC FLASH
 Remove all power before wiring this product.
Failure to follow these instructions will result in death or serious injury.

⚠ DANGER

ELECTRIC SHOCK AND FIRE
 When using the SG terminal to connect an external device to this product:
 • Verify that a short-circuit loop is not created when you set up the system.
 • Connect the SG terminal to remote equipment when the external device is not isolated.
 • Connect the SG terminal to a known reliable ground connection to reduce the risk of damaging the circuit.
Failure to follow these instructions will result in death or serious injury.

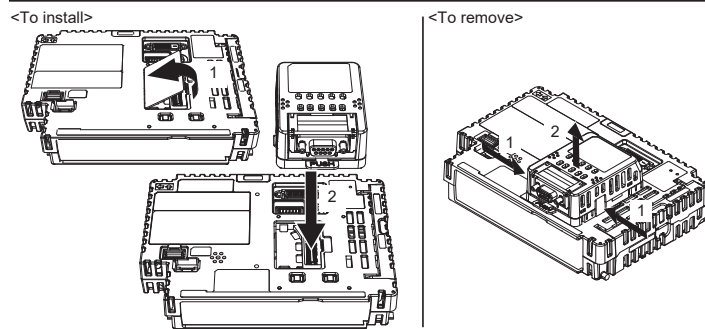
⚠ CAUTION

LOSS OF COMMUNICATION

- All connections to the communication ports must not put excessive stress on the ports.
- Securely attach communication cables to the panel wall or cabinet.
- Use a D-Sub 9 pin connector that has jack screws.

Failure to follow these instructions can result in injury or equipment damage.

Installation



Notes

- This product can be connected to the SP5000 Series Power Box.
- For the Status LED indicator, refer to this product's hardware manual.
- You can download the manuals related to this product from our website.
- Remove all power from the Power Box prior to installing or removing this product.
- When installing this product, push it in until you hear it click into place, and make sure that the product is securely fixed.
- After detaching this product, re-attach the cover on the rear of Power Box, which you removed at the time of installation.
- Use only the SELV (Safety Extra-Low Voltage) circuit to connect the Flex Network interface and CANopen interface.
- Use SELV (Safety Extra-Low Voltage) circuit and LIM (Limited Energy circuit) for DC power of Power Box.
- If the equipment is used in a manner not specified by the manufacturer, the protection provided by the equipment may be impaired.
- Ambient air temperature: 0...60 °C (32...140 °F)
- Ambient air and storage humidity: 10...90% RH (non condensing, wet bulb temperature 39 °C [102.2 °F] or less)
- Atmospheric pressure (operating altitude): 800...1,114 hPa (2,000 m [6,561 ft] or lower)
- Suitable for use in Pollution Degree 2 environment.
- Suitable for use in Class I, Division 2, Groups A, B, C, D or non-hazardous locations.
- This product is not designed for outdoor use. UL certification obtained is for indoor use only.
- Install this product in an enclosure with mechanical rigidity.
- When this product gets dirty, soak a soft cloth in water with a neutral detergent, wring the cloth tightly and wipe this product.

⚠ DANGER

POTENTIAL FOR EXPLOSION

- Verify that the power, input and output (I/O) wiring are in accordance with Class I, Division 2 wiring methods.
- Substitution of any component may impair suitability for Class I, Division 2.
- Do not disconnect equipment while the circuit is live or unless the area is known to be free of ignitable concentrations.
- Remove power before attaching or detaching any connectors to or from this product.
- Ensure that power, communication, and accessory connections do not place excessive stress on the ports. Consider the vibration in the environment when making this determination.
- Securely attach power, communication, and external accessory cables to the panel or cabinet.
- Do not use this product in hazardous environments or locations other than Class I, Division 2, Group A, B, C, and D.
- Do not connect or disconnect this product unless power has been switched off or the area is known to be non-hazardous.
- Always confirm that this product is suitable for use in hazardous locations by checking the ANSI/ISA 12.12.01 or CSA C22.2 N°213 certification appears on the product labeling.
- Do not install any Pro-face or OEM components, equipment, or accessories unless these have also been qualified as suitable for use in Class I, Division 2, Groups A, B, C, and D locations.
- Do not attempt to install, operate, modify, maintain, service, or otherwise alter this product except as permitted in this manual. Unpermitted actions may impair the suitability of this product for Class I, Division 2 operation.

Failure to follow these instructions will result in death or serious injury.

The following message is for UL Hazardous Locations.

⚠ DANGER

RISQUE D'EXPLOSION

- Avant de déconnecter l'équipement, couper le courant ou s'assurer que l'emplacement est désigné non dangereux.
 - Le remplacement de n'importe quel composant peut nuire à la conformité à la Classe I, Division 2.
- Le non-respect de ces instructions provoquera la mort ou des blessures graves.**

Note
 Please be aware that Schneider Electric shall not be held liable by the user for any damages, losses, or third party claims arising from the uses of this product.